







iTOOL Interface



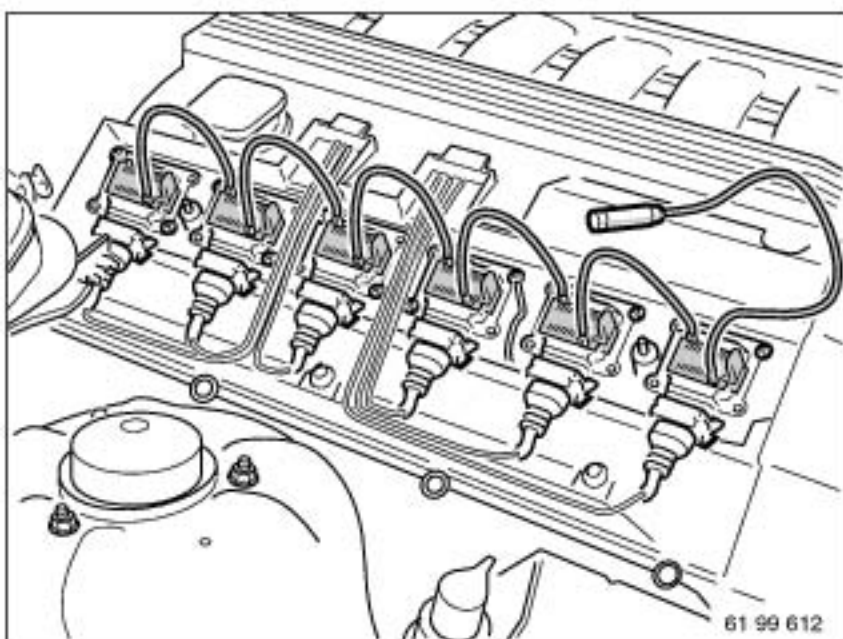
VIN: GL51322

CAR: 5/E39/SEDAN/528i/M52/AUTO/EUR RL/1998/11

## AZD AZD-AZD-AZD12-8 Oil pressure, oil temperature, oil level display

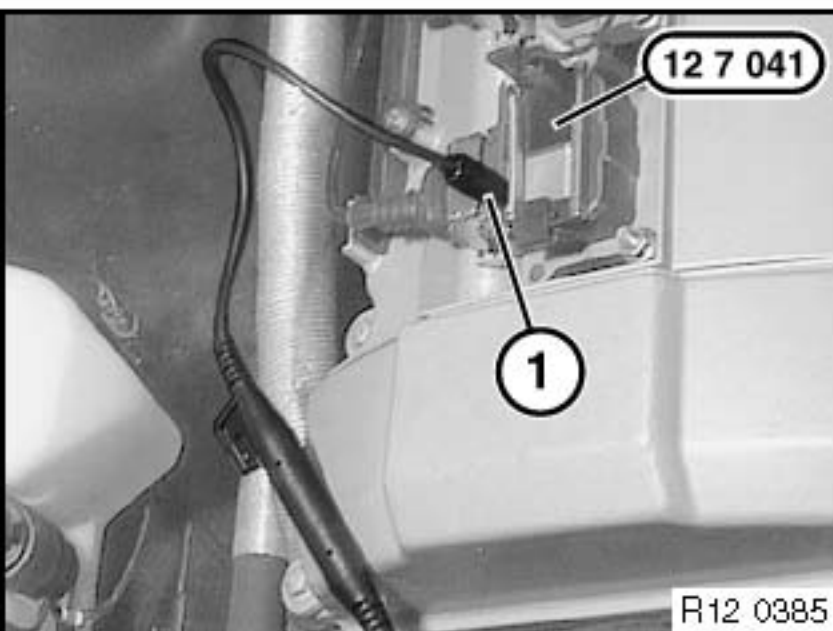
## 12 61 Oil pressure, oil temperature, oil level display

	Type	Thread	Tightening specification	Measure
1AZ Oil-pressure switch/oil-temperature switch	All	M12x1.5		27 Nm
2AZ Level switch for engine oil	N62 / N73 / M67TU		Jointing torque 2 Nm	8.5 Nm
3AZ Oil pressure switch	N46	M12 x 1.5		27 Nm
4AZ Level sensor to oil sump	N46	M6		9 Nm



**Version with single-spark ignition coils:**

Mount special tool [12 7 041](#) on ignition coils and connect to special tool [12 7 043](#).



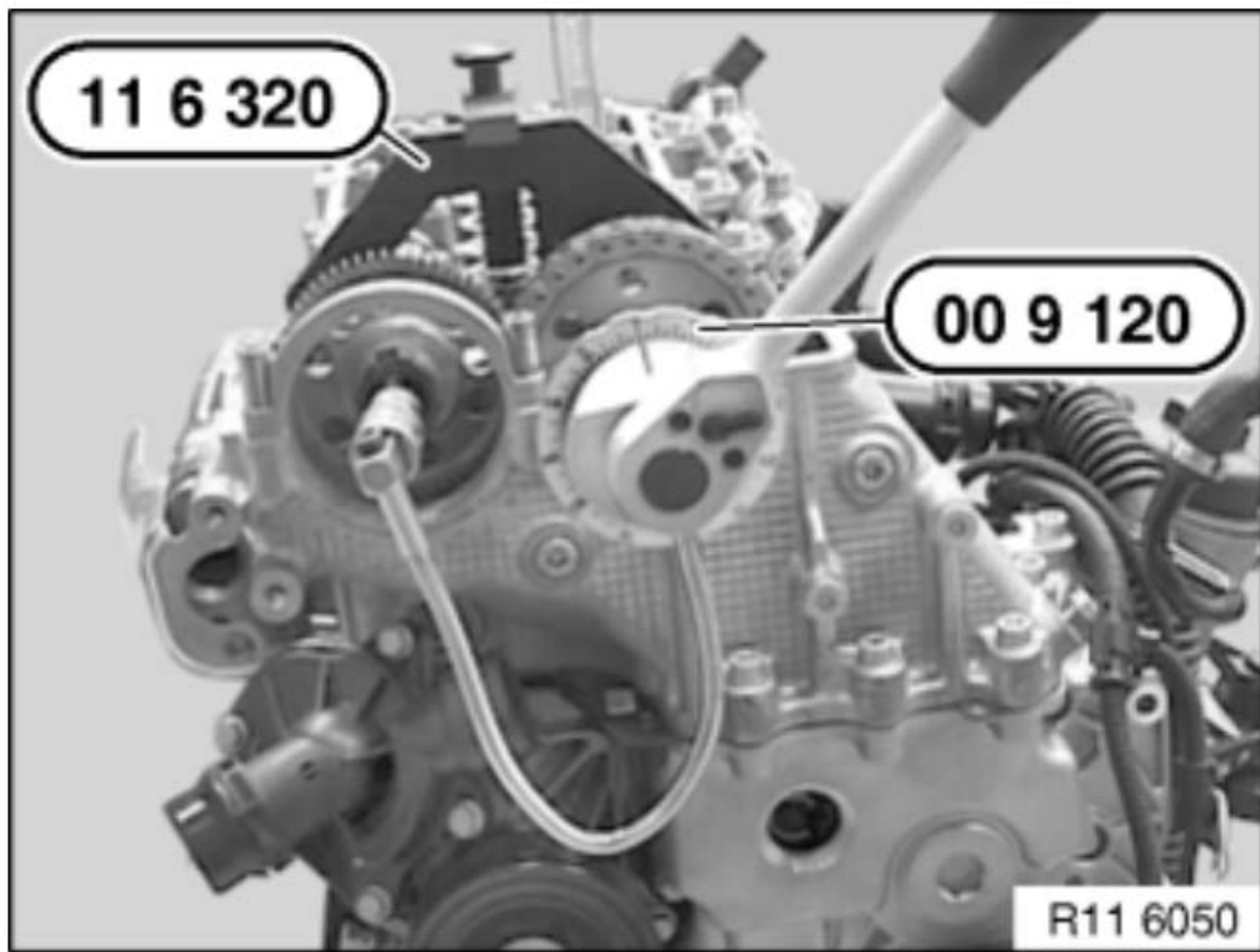
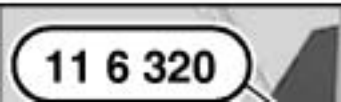
Connect DIS Tester with RZV connecting lead to last test adapter (RZV = static ignition distribution).

Connect trigger pliers of DIS tester to feed line on ignition coil of 1st cylinder.

- Select "Measurement".
- Select "Preset measurements".

Subsequent procedure in accordance with DIS instructions.

Picture: RA1160-50



Zoom in

Zoom out

OK



Session: -

Vehicle: -

Terminal 15: -

Session

Programming

Vehicle

Data  
management

Import activation  
code

Delete activation  
code

Import vehicle  
order

Delete vehicle  
order

Reports

Date



Vehicle ID number

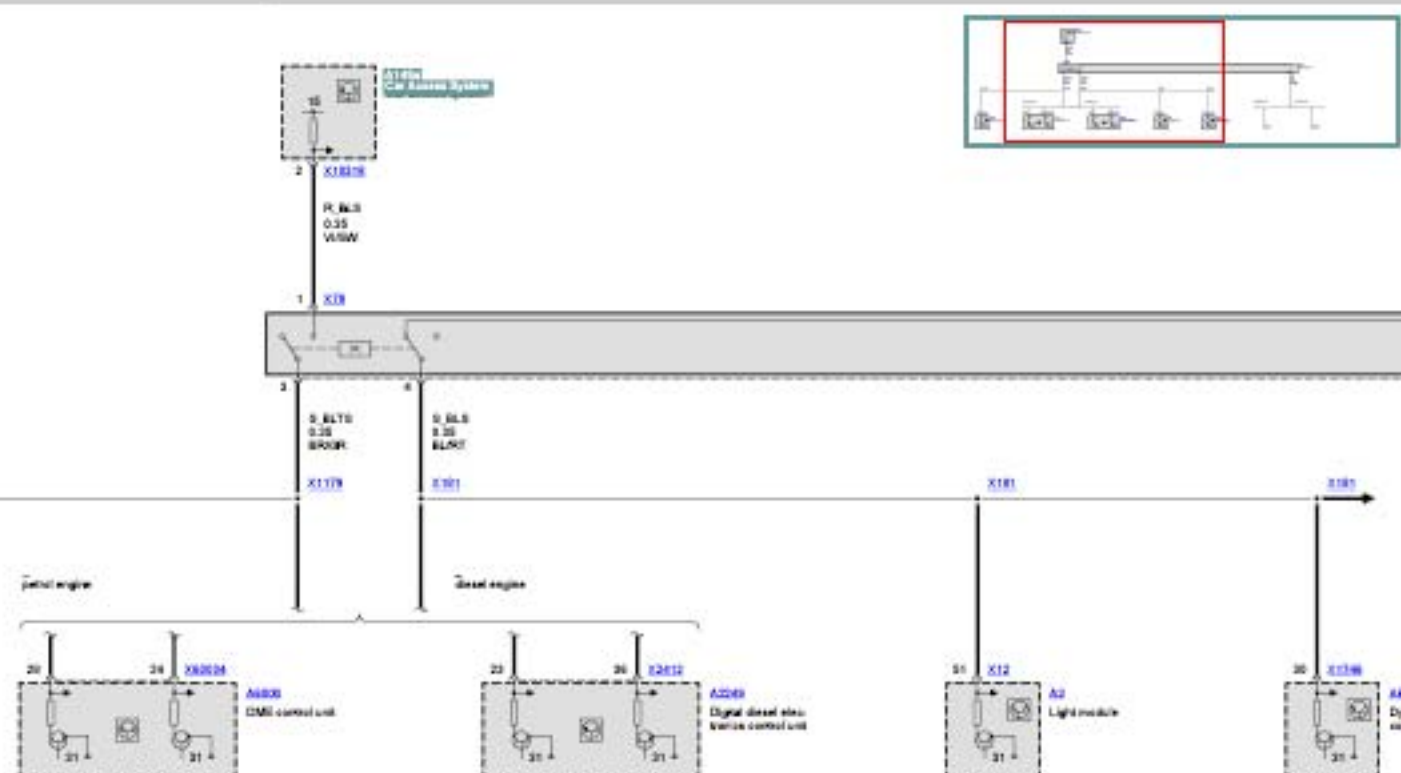


VIN: B685432

CAR: 5/E61/SPORTS WAGON/525d/M57/AUTO/EUR RL/2004/11

PIB PIB-PIB-E60\_PA149AA A149a Car access system

## Wiring diagram



## Installation location

## Pin assignment

21	E	Supply
22	A	Signal, starter terminal 50
23		Not used
24		Not used
25	M	Ground
26	AVE	CAN bus low
27		Not used
28	A	Signal, engine start
29	E	Signal, centre lock
30		Not used
31	E	Signal, rear left wheel speed
32	E	Brake light switch signal
33	E	Signal, remote control services
34	E	Supply
35	AVE	Signal, CAN-bus
36	A	Telephone ON signal



## BMW Service

Startup Page For Launching Applications



### Integrated Service Technical Application / Programming



Programming, Coding, Individualisation

### Workshop System Management



Device Management, Monitoring, System Set



## BMW Service

Management Application for BMW and MINI Works

System  
Overview

Software  
Overview

Workshop  
Network

Base  
Settings

Download

Overview

Registration

Device Name	Device Type	Online/Offline	Status	Status Information
ICOM1	ICOM			OK
ISSS1	ISSS			OK
ISIS1*	ISIS		DB	OK
ISIS1-ISTA	ISTA			OK
ISIS1-ETK	ETK			OK
ISIS1-ISPA	ISPA			OK